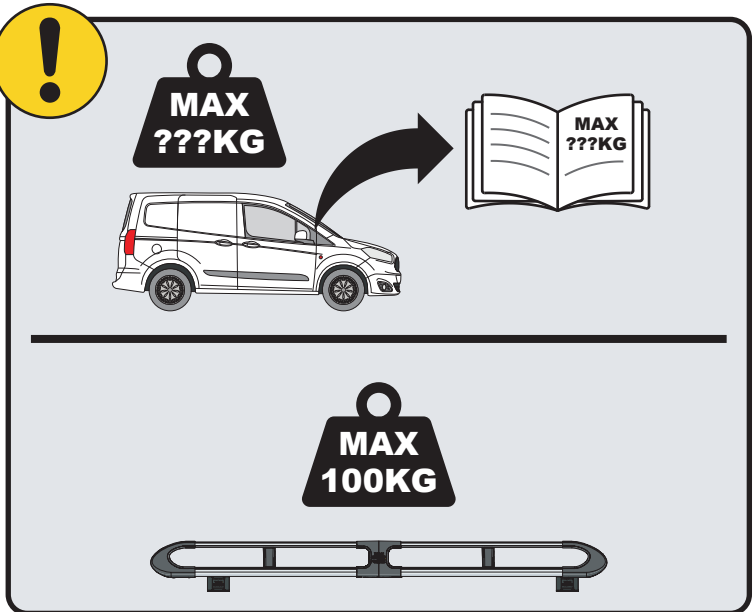
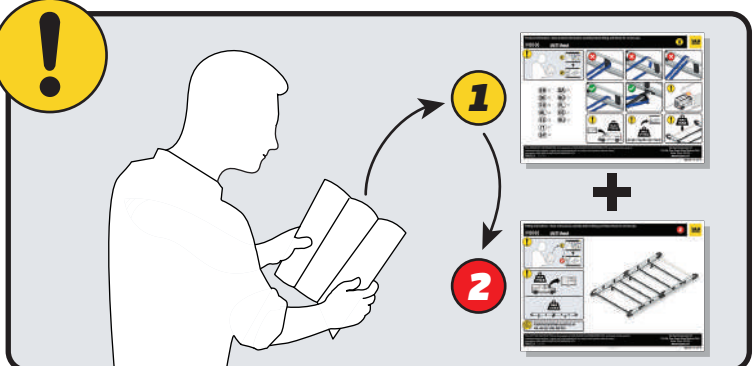


IN8340

ULTI Rack+



 Customercare@van-guard.co.uk
UK +44 (0) 1392 368 351



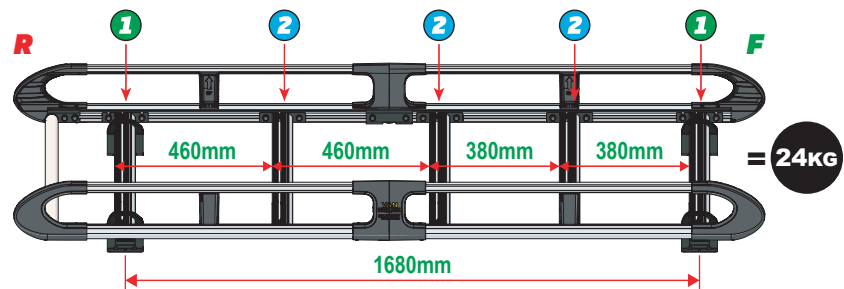
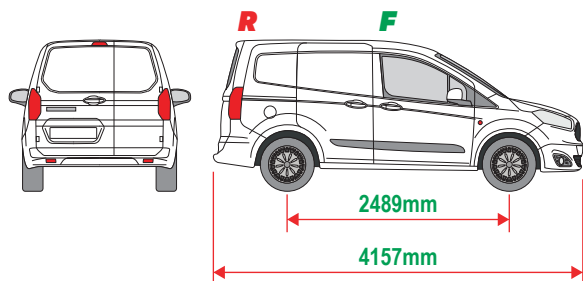
This FITTING INSTRUCTION is the property of VAN GUARD ACCESSORIES LTD. and must not be used for manufacturing purposes, copied nor communicated in any way to third parties without written permission from VAN GUARD ACCESSORIES LTD.
IN8340_A (CN:NR)

Van Guard Accessories Ltd
Fair Oak Close, Exeter Airport Business Park,
Exeter, Devon, EX5 2UL
www.van-guard.co.uk

THIS INSTRUCTION COVERS THE FOLLOWING MODELS - CHECK YOU ARE FITTING THE CORRECT MODEL BEFORE PROCEEDING

VGUR-261

Ford Transit Courier: 2014 on
L1H1 (SWB)
Twin Rear Doors



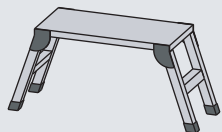
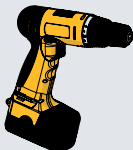
SUPPLIED COMPONENTS - CHECK ALL PARTS ARE PRESENT AND CORRECT BEFORE PROCEEDING (1 OF 2)

TOOLS REQUIRED

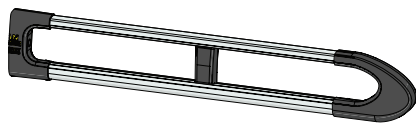
10MM X1



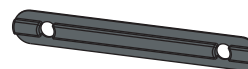
13MM X1



AS3531 X2
(2000 / A)



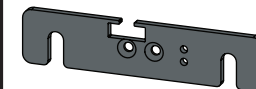
MA6118 X12



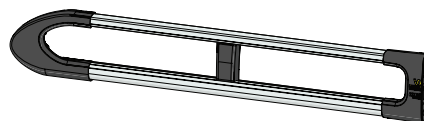
FX4241 X28



ME1622 X3



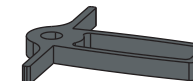
AS3530 X2
(2000 / B)



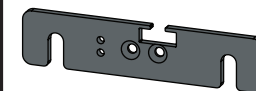
FX4008 X1



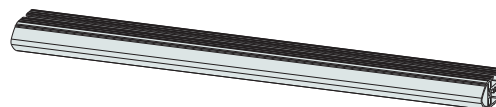
MA6145 X1



ME1623 X3



ME1626 X5
(1264mm)



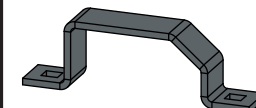
FX4001 X2
(M8X40)



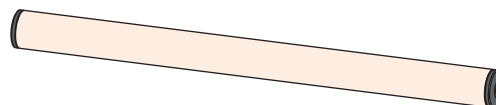
FX4235 X20
(M5X25)



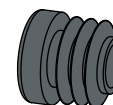
ME0203 X4



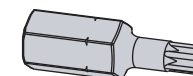
AS3158 X1
(1250mm)



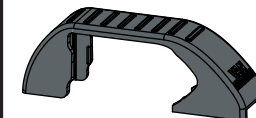
MA6007 X4



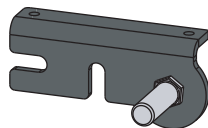
FX4248 X1
(T25)



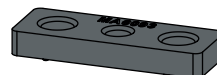
MA6065 X4



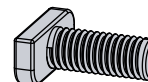
AS3590 X1



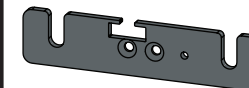
MA6093 X10



FX4239 X28
(M8X20)



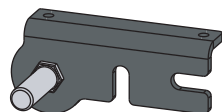
ME1620 X2



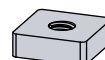
FX4016 X8
(M6)



AS3591 X1



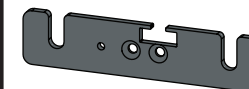
ME0316 X10



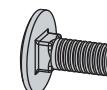
FX4240 X28
(M8)



ME1621 X2

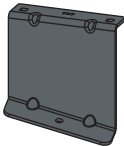


FX4042 X8
(M6X16)



SUPPLIED COMPONENTS - CHECK ALL PARTS ARE PRESENT AND CORRECT BEFORE PROCEEDING (2 OF 2)

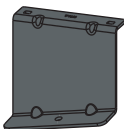
ME0787 X1



FX4014 X6



ME0788 X1

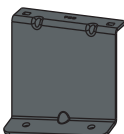


FX4021 X6

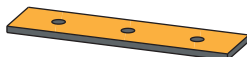
(M6X25)



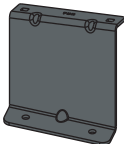
ME0789 X1



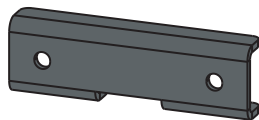
MA6023 X4



ME0790 X1



ME1635 X2



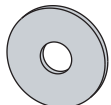
FX4010 X6

(M6)



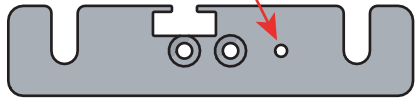
FX4013 X6

(M6)



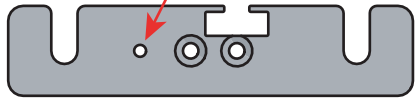
01

1L



X2

1R



X2

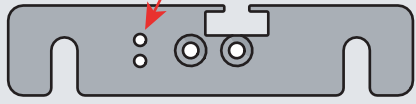


2L



X3

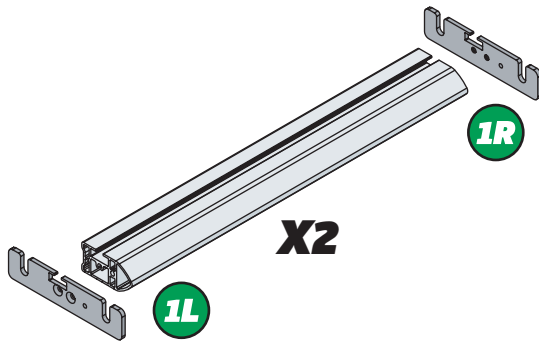
2R



X3

02

1R

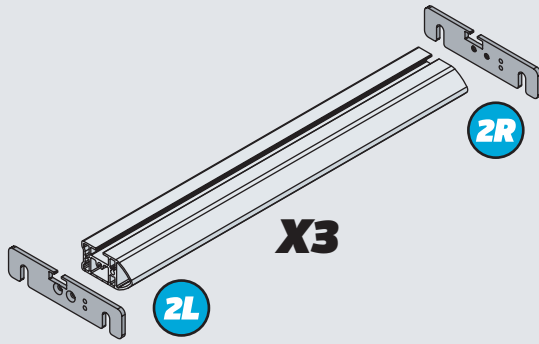


X2

1L



2R



X3

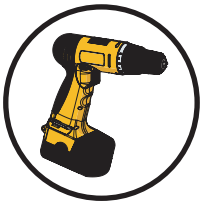
2L



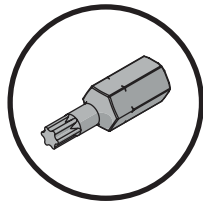
03

01

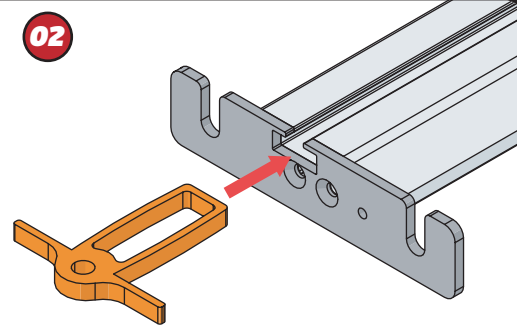
FX4248



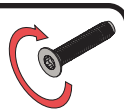
+



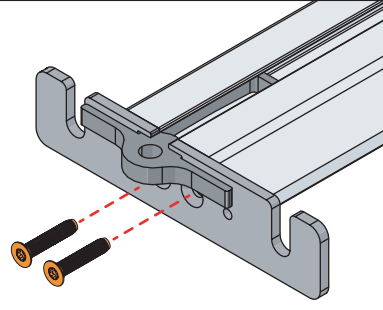
02



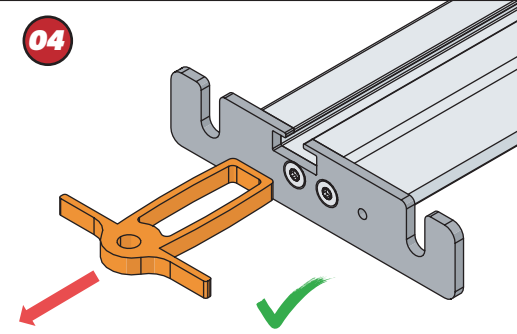
03



11Nm



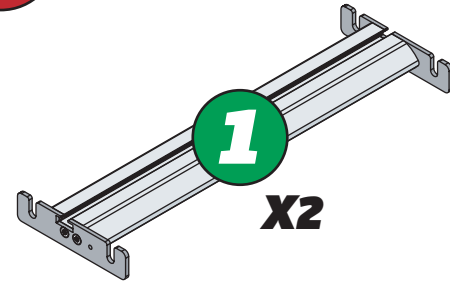
04



04

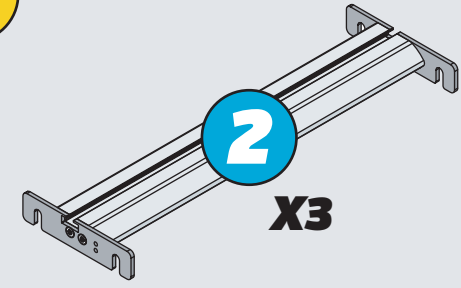


1

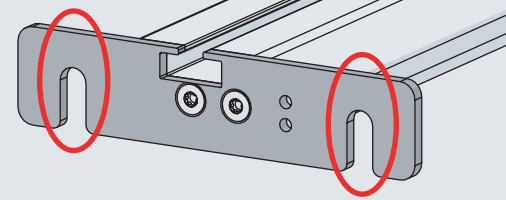
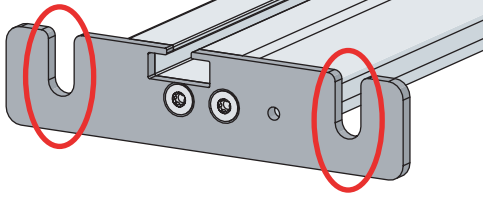


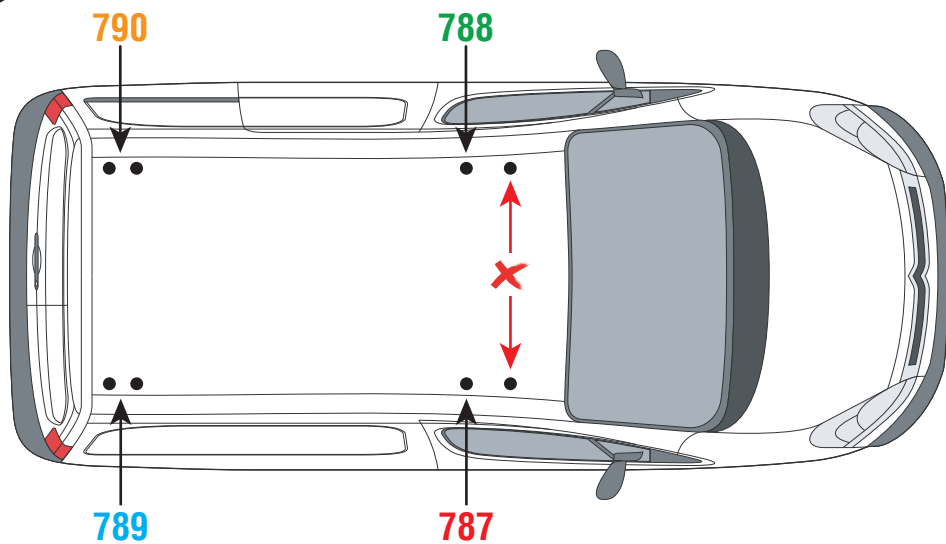
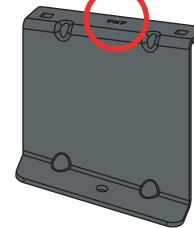
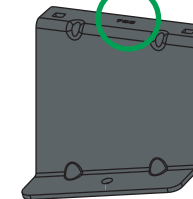
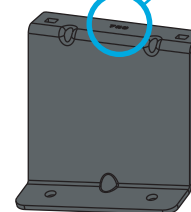
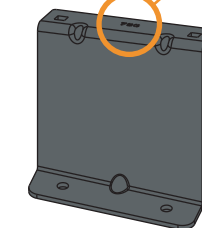
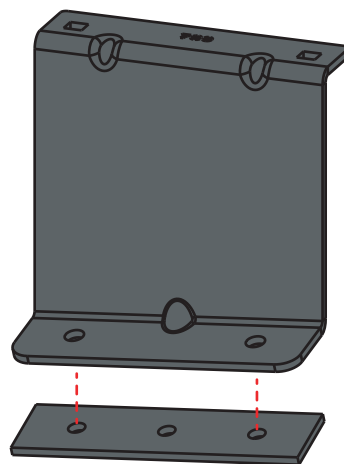
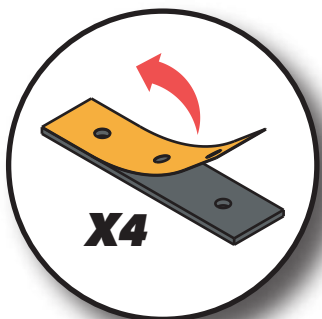
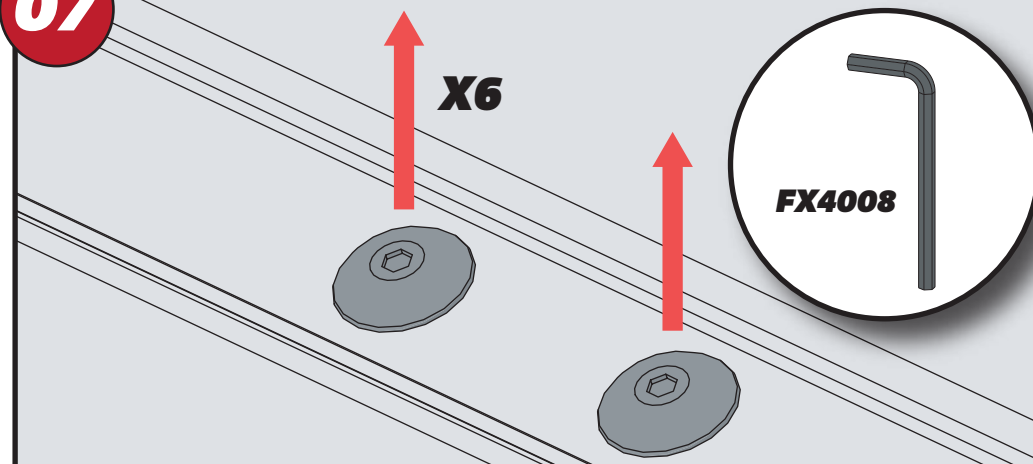
X2

2



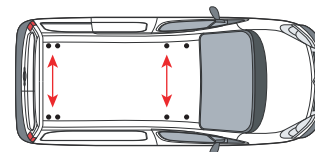
X3

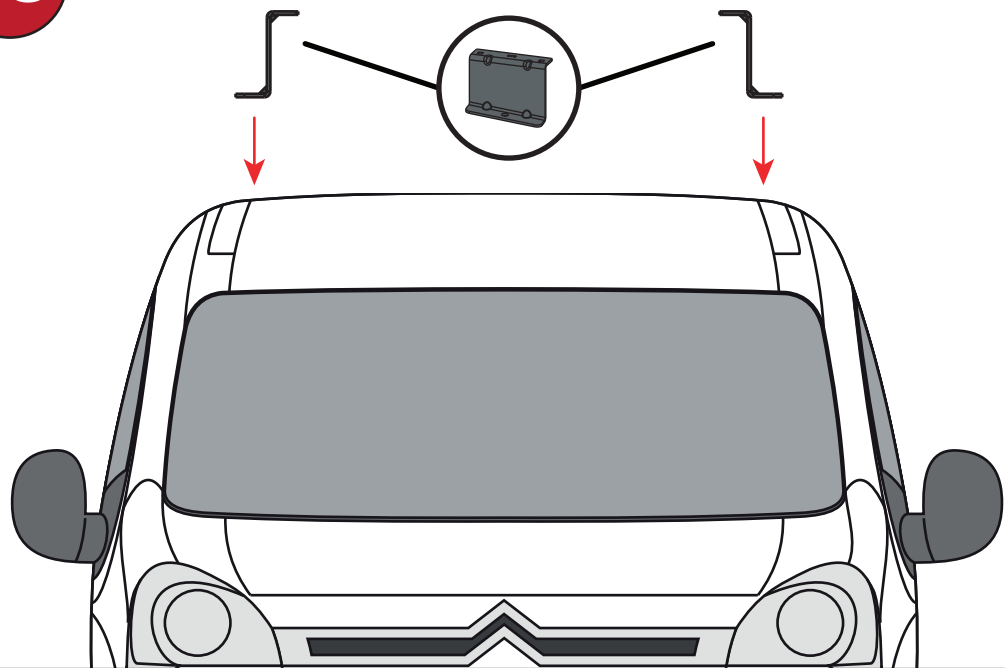
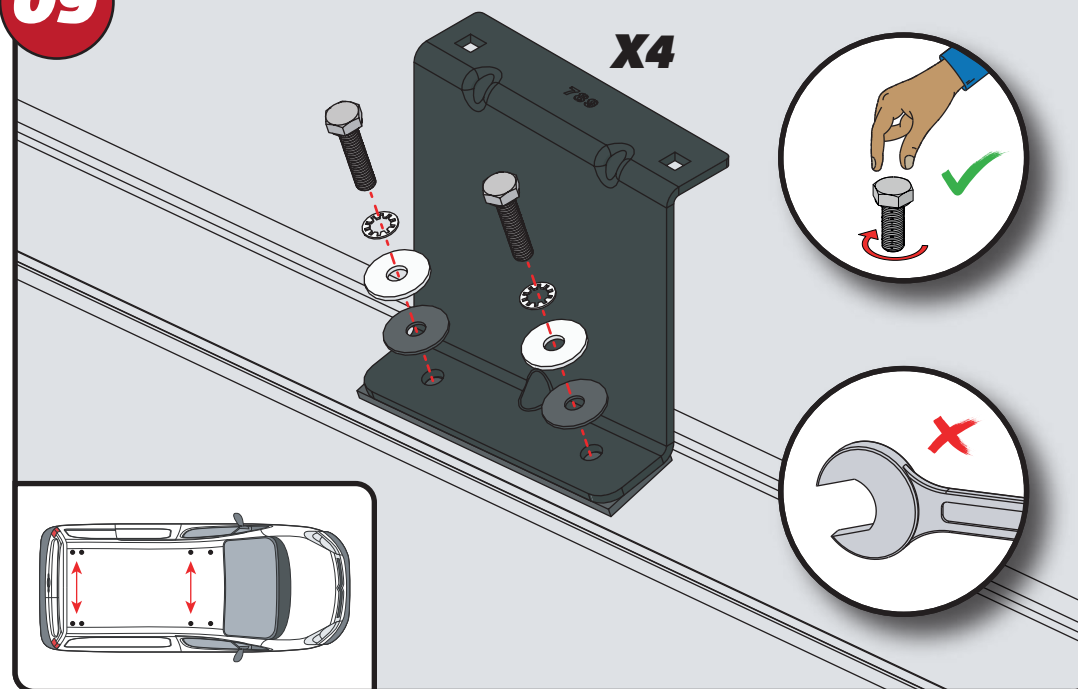
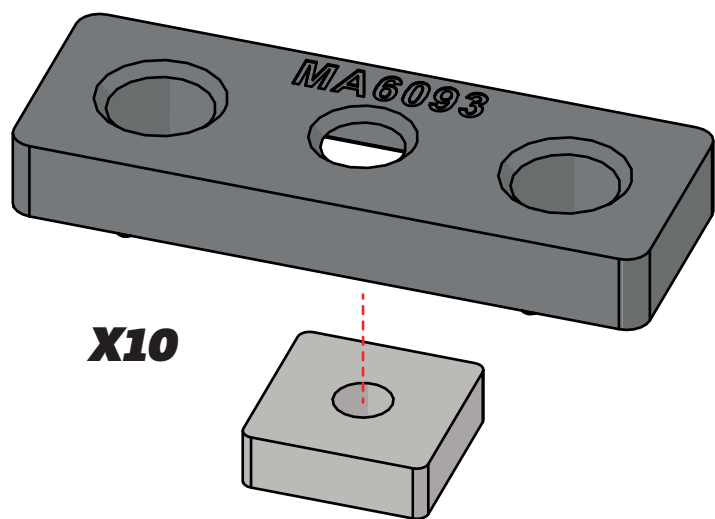
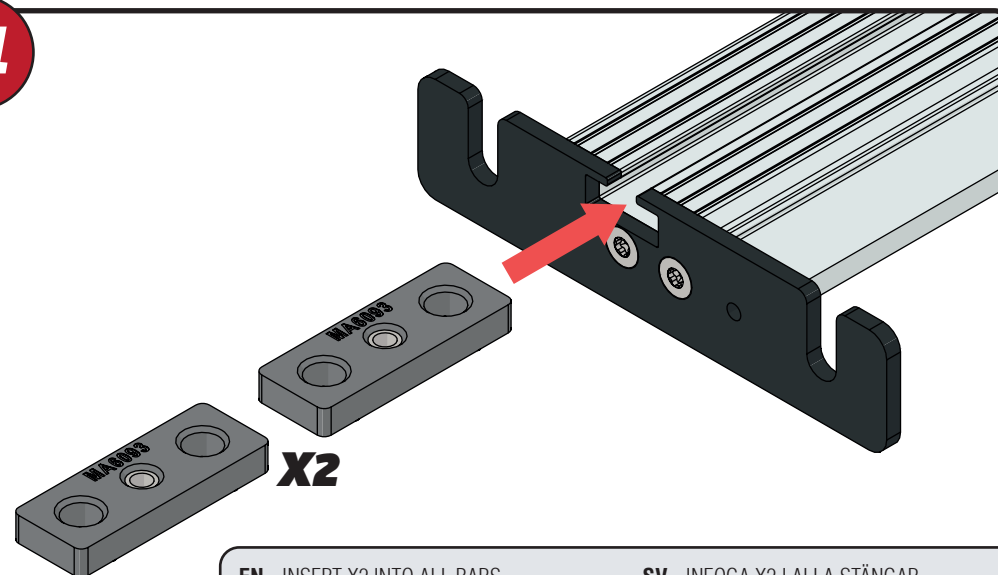


05**787****787****788****788****789****789****790****790****06****07**

EN - STICK GASKETS TO ALL BRACKETS
 DE - KLEBEN SIE DIE DICHTUNG AN ALLEN HALTERUNGEN
 FR - COUSSINETS ADHÉSIFS À TOUS LES SUPPORTS
 NL - PLAK PAKKING OP ALLE BEUGELS
 ES - PEGA LAS ALMOHADILLAS A TODOS LOS SOPORTES
 IT - ADESIVI GUARNIZIONI A TUTTE LE STAFFE

SV - FÄST GUMMI PÅ ALLA FÄSTEN
 DA - KLÆB GUMMI PÅ ALLE BESLAG
 NO - PLIST GUMMI PÅ ALLE BRAKKETTER
 PL - NAKLEJ USZCZELKI DO WSZYSTKICH WSPORNIKÓW
 CS - PŘILEPTE TĚSNĚNÍ NA VŠECHNY DRŽÁKY

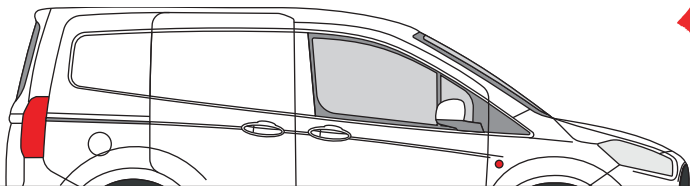
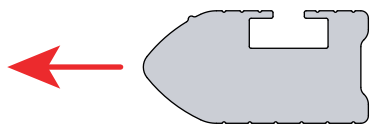
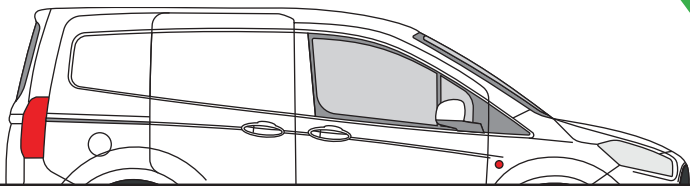


08**09****10****11**

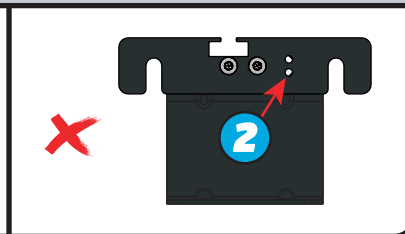
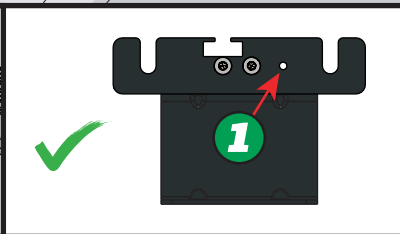
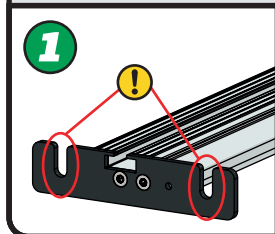
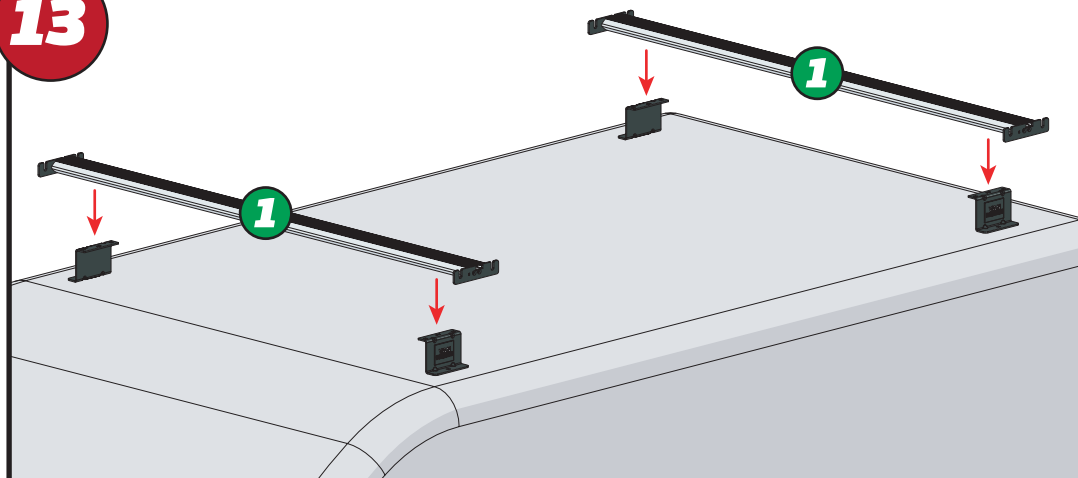
EN - INSERT X2 INTO ALL BARS
 DE - X2 IN ALLE STANGEN EINFÜGEN
 FR - INSÉRER X2 DANS TOUTES LES BARRES
 NL - PLAATS X2 IN ALLE BARS
 ES - INSERTAR X2 EN TODAS LAS BARRAS
 IT - INSERIRE X2 IN TUTTE LE BARRE

SV - INFOGA X2 I ALLA STÄNGAR
 DA - INDSÆT X2 I ALLE STÆNGER
 NO - SETT X2 INN I ALLE TAKSTENGER
 PL - WSTAW X2 DO WSZYSTKICH PRĘTÓW
 CS - VLOŽTE X2 DO VŠECH TYČÍ

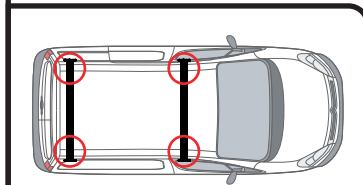
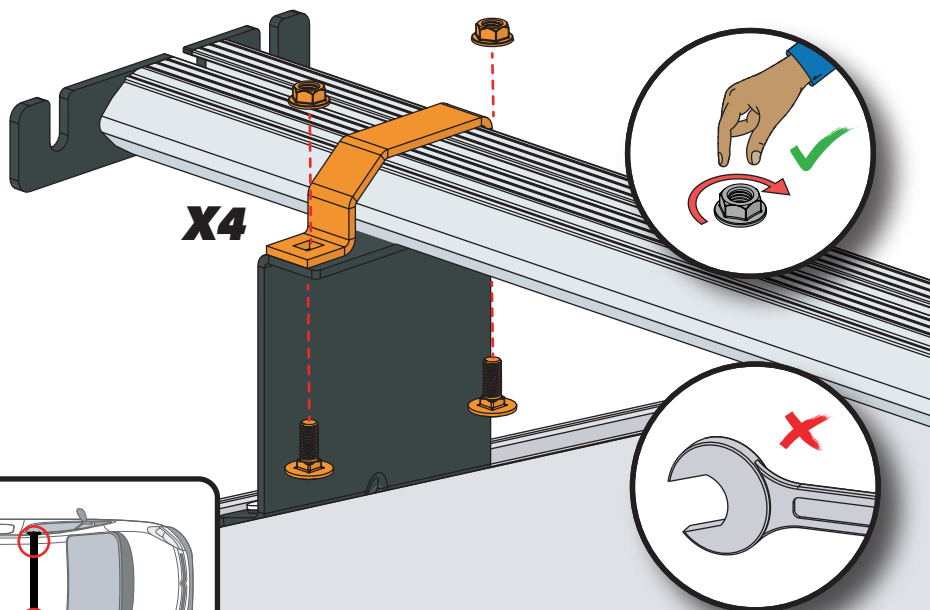
12



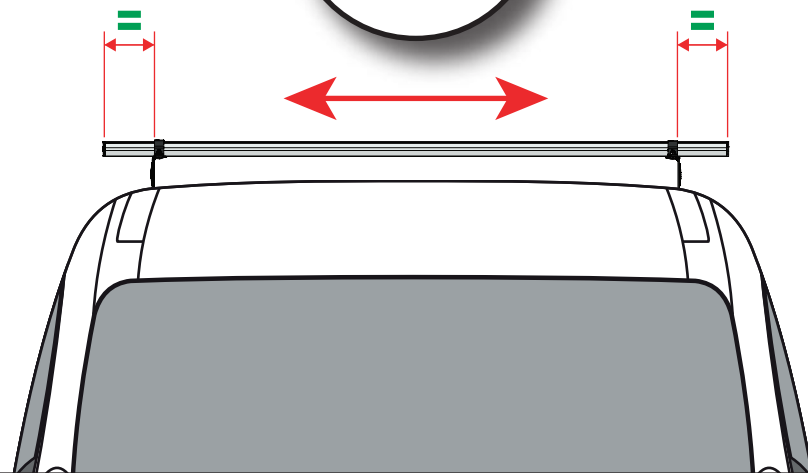
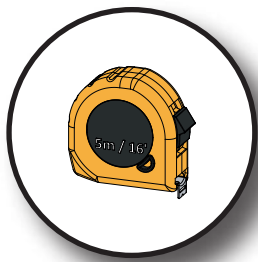
13



14



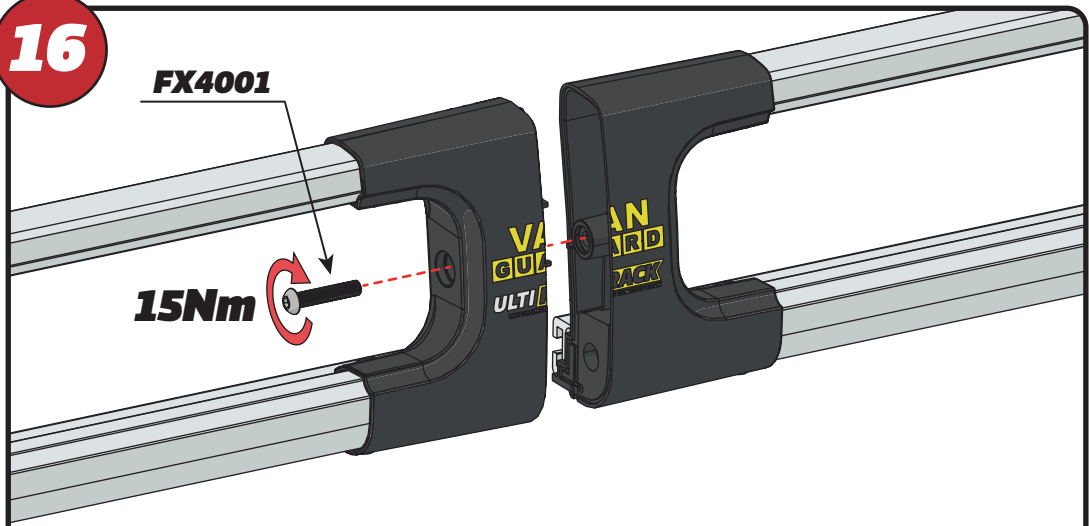
15



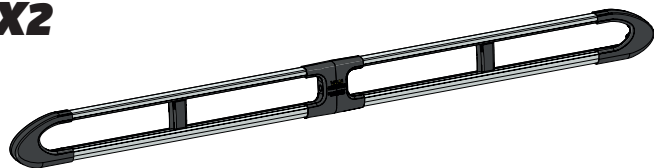
16

FX4001

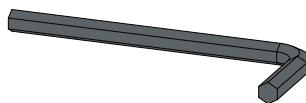
15Nm



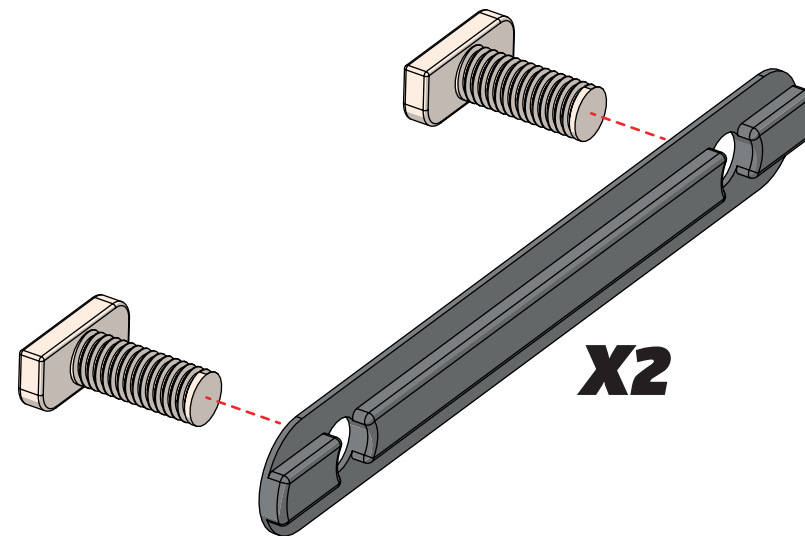
X2



FX4008

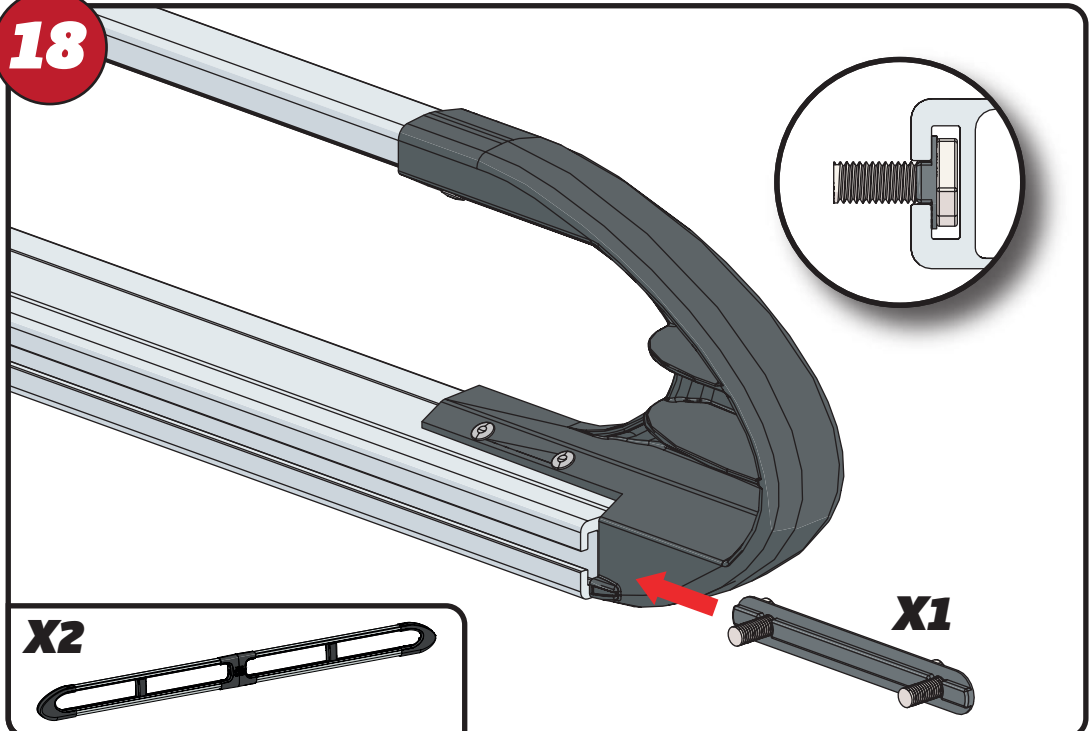


17

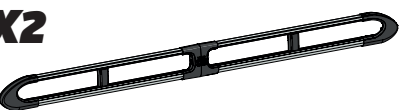


X2

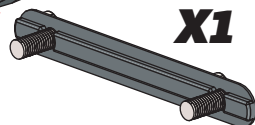
18



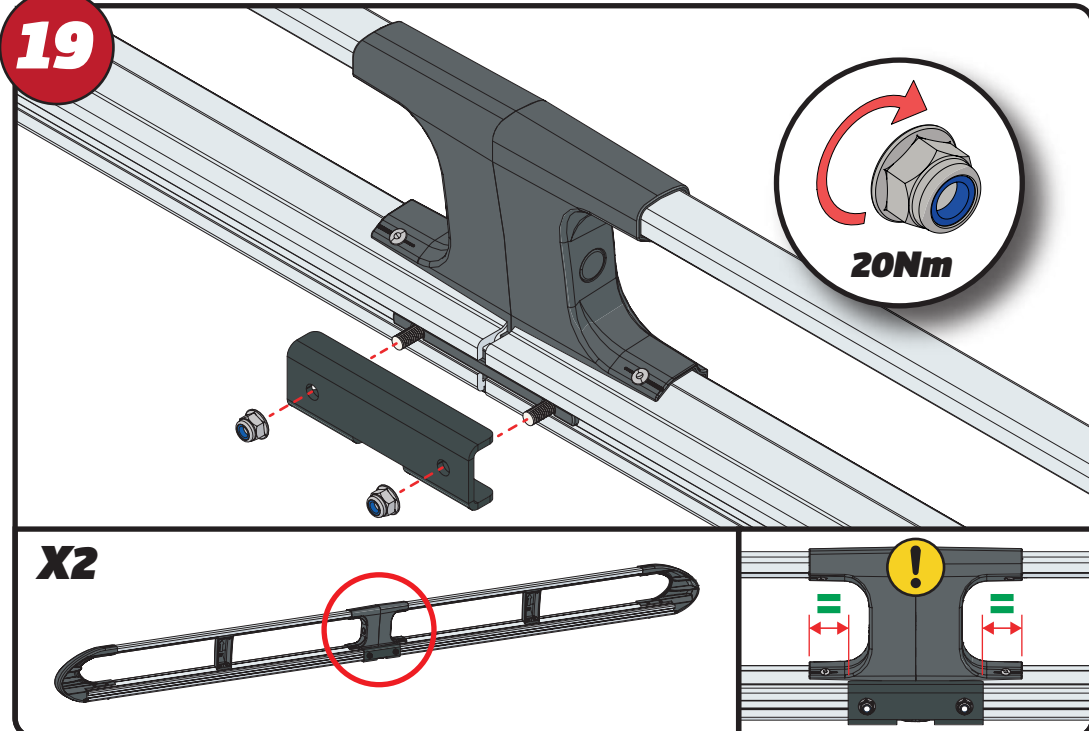
X2



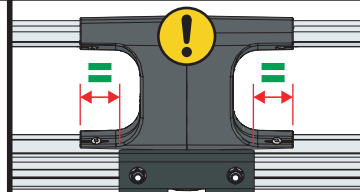
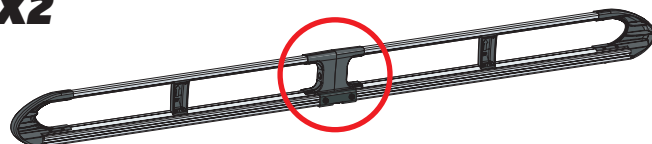
X1



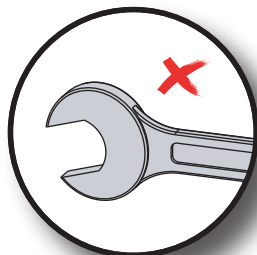
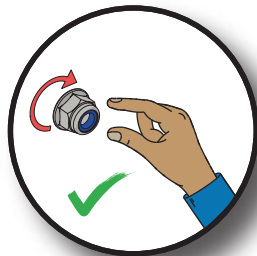
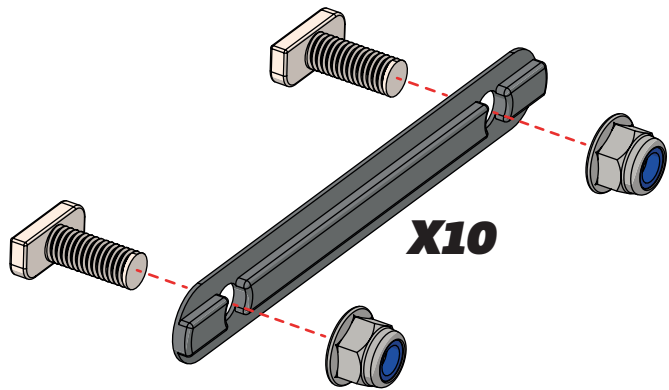
19



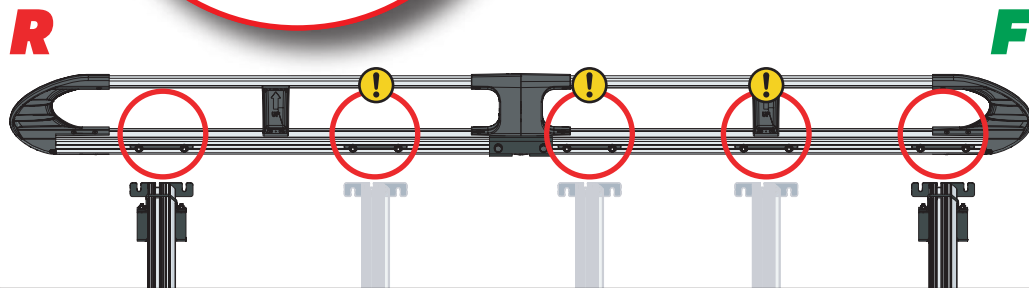
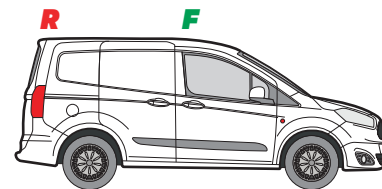
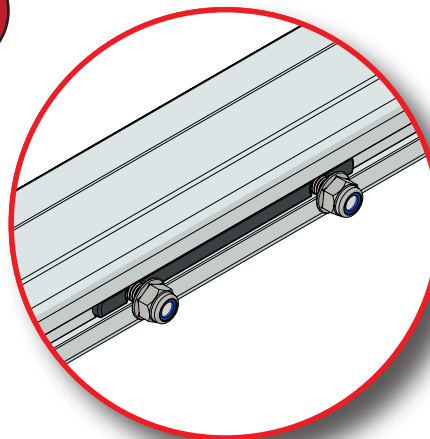
X2



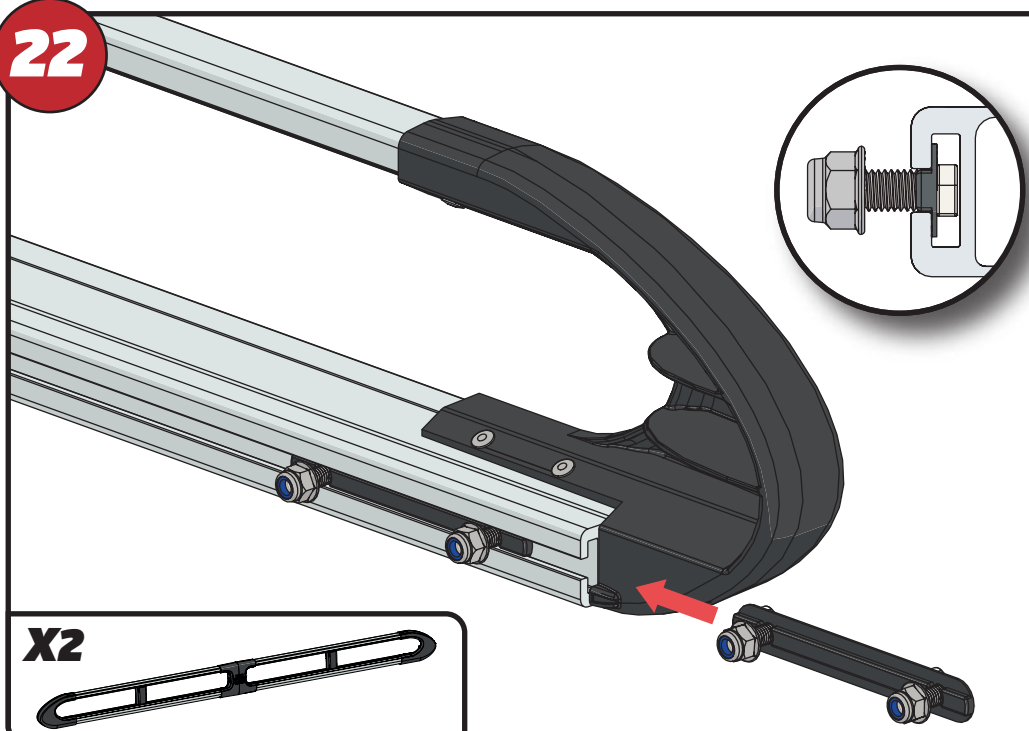
20



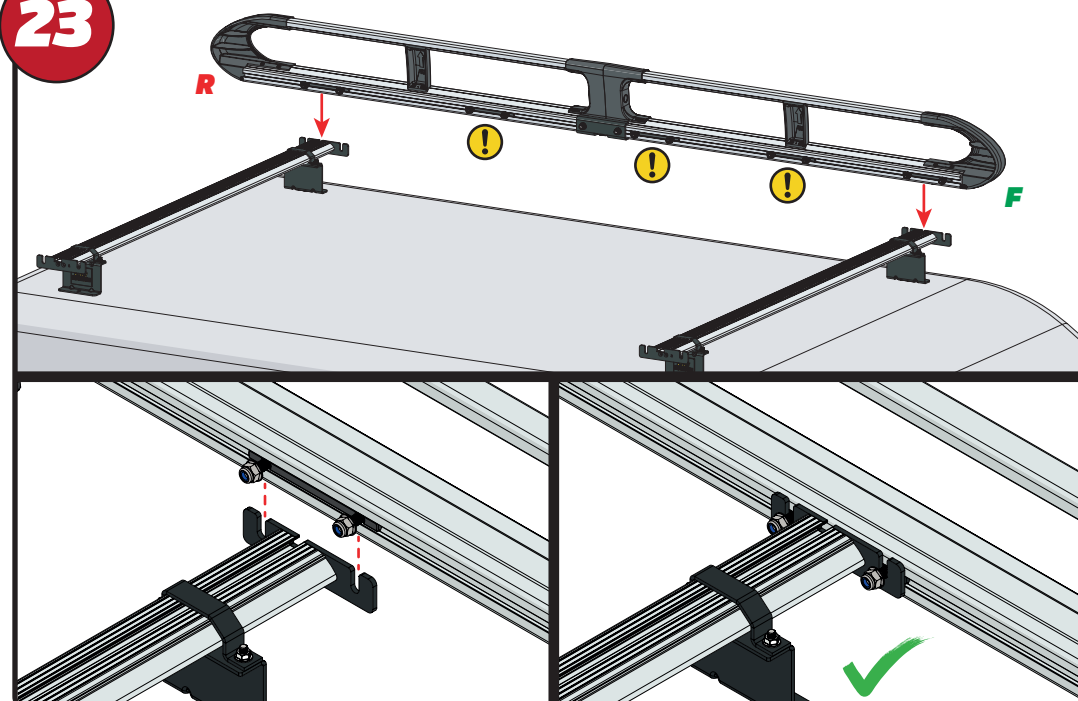
21



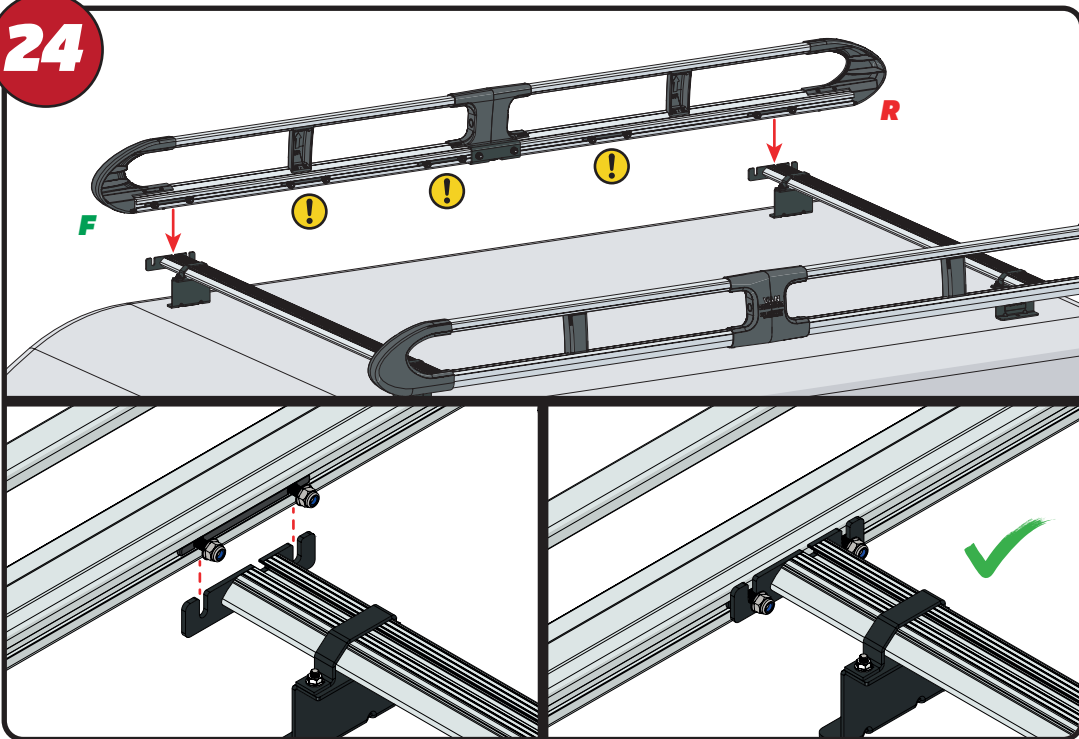
22



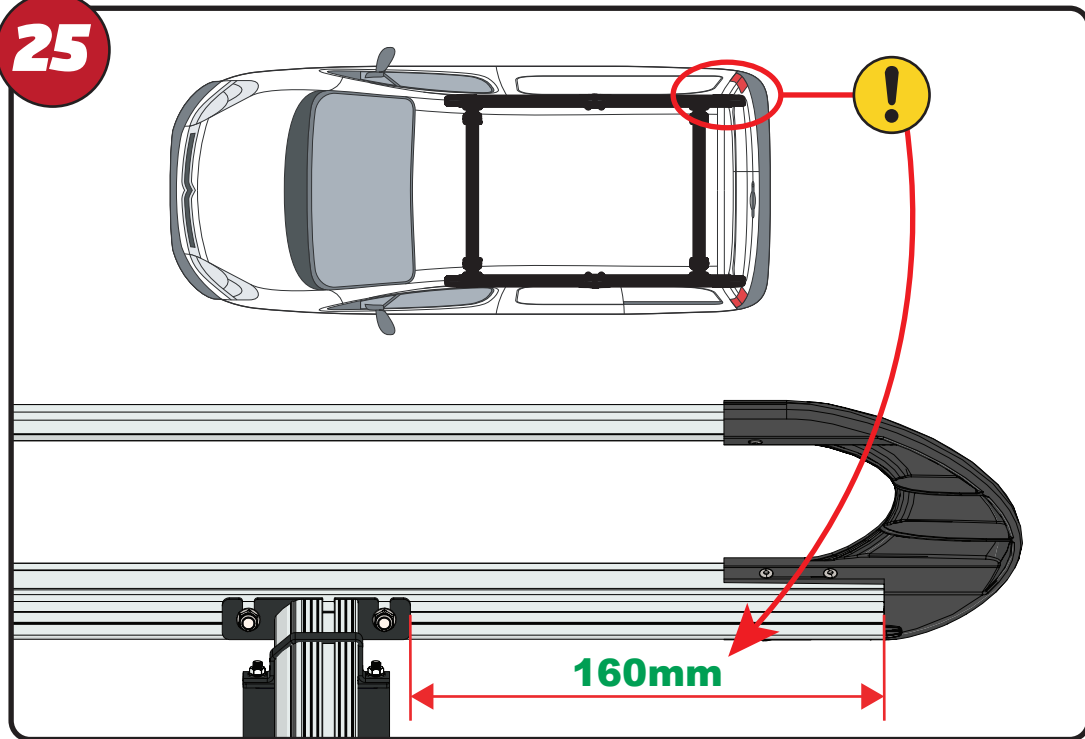
23



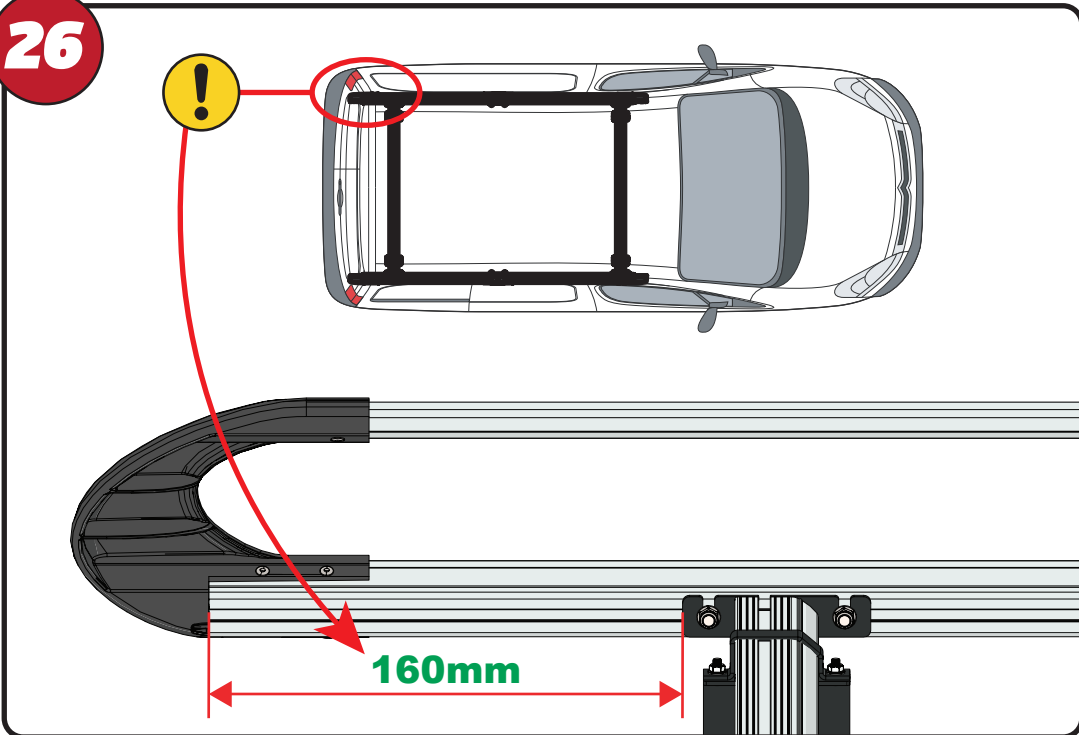
24



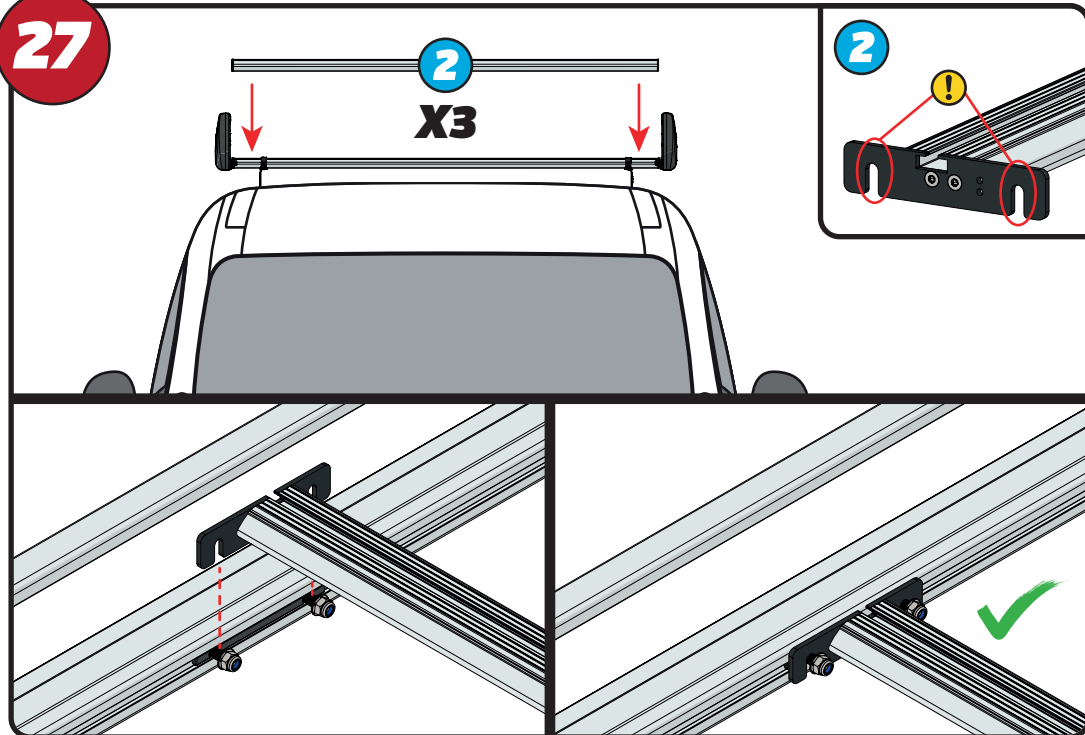
25



26

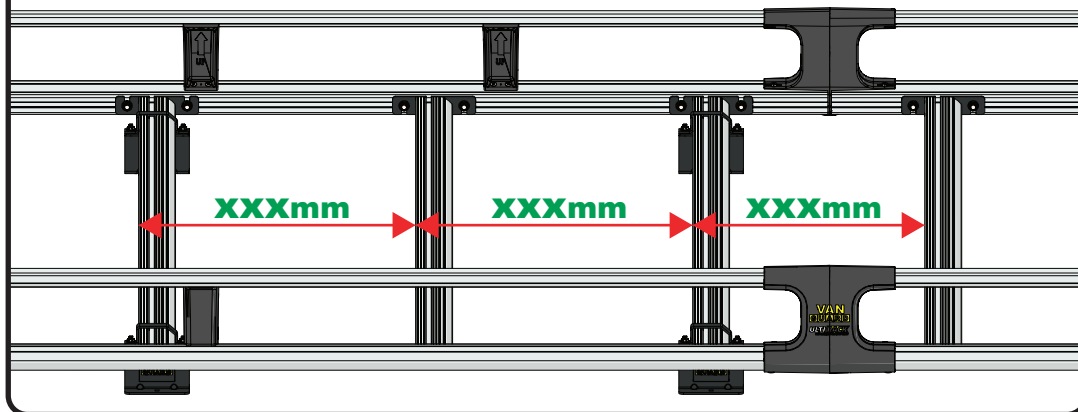
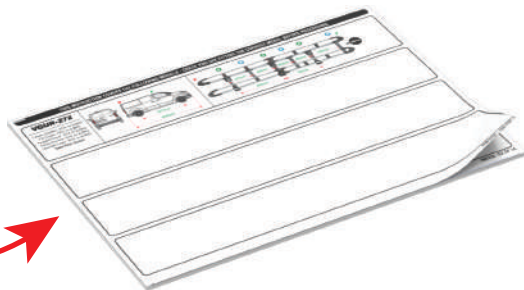
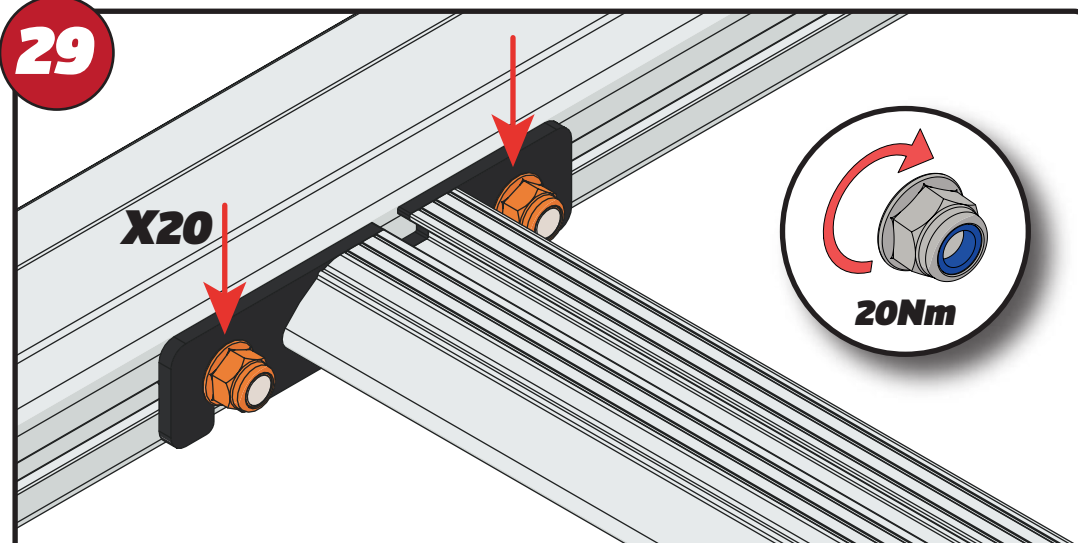


27



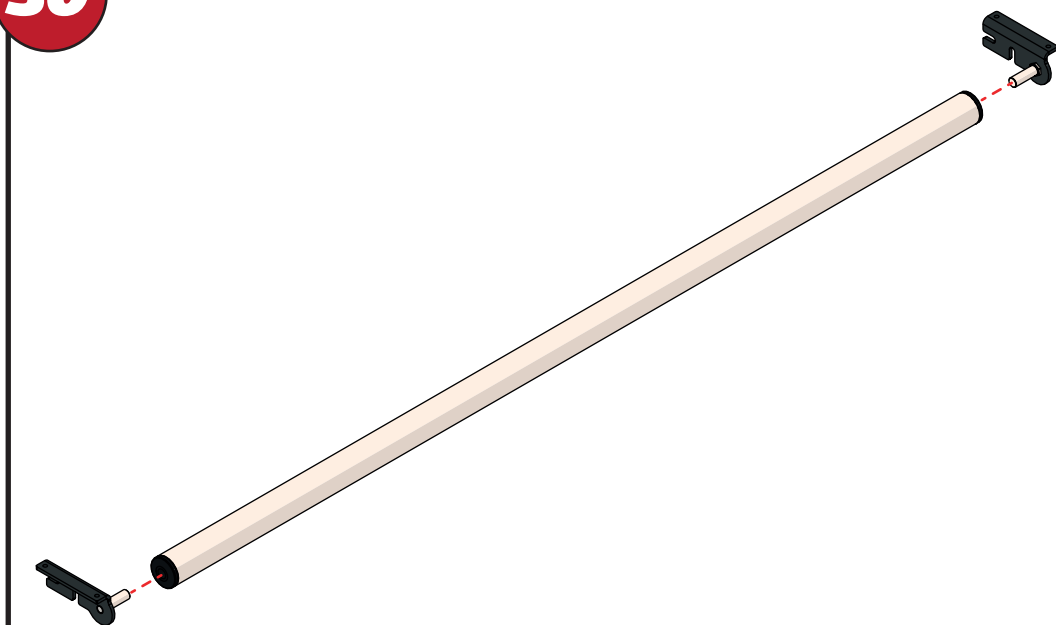
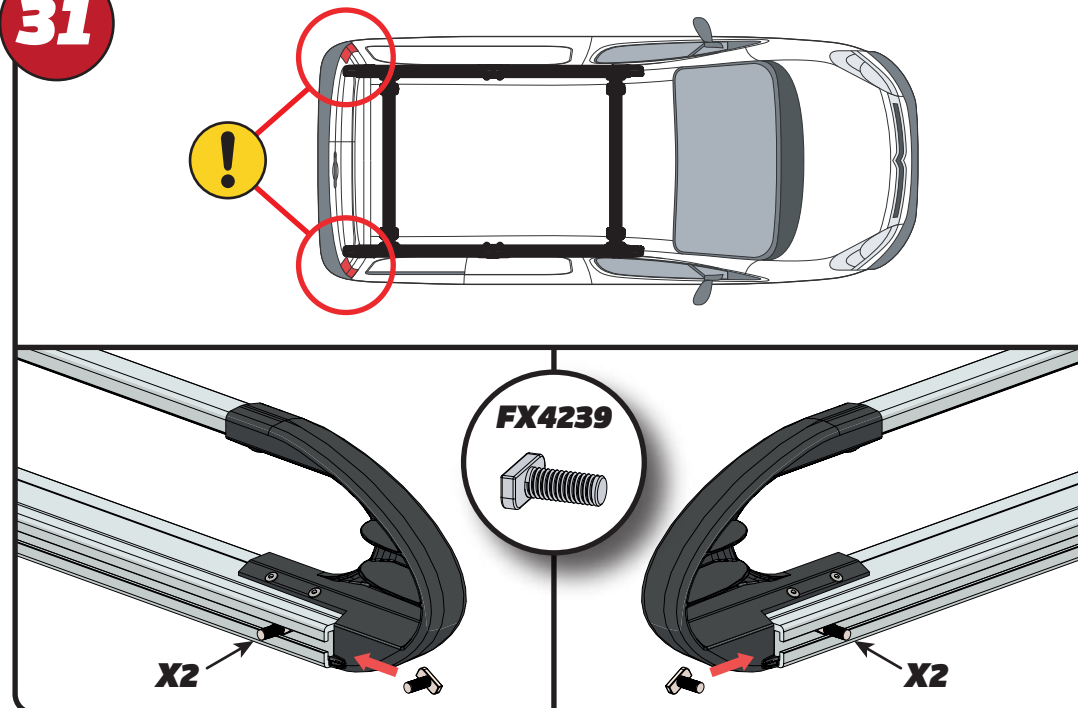
28

XXX =
PAGE 2 OF 15

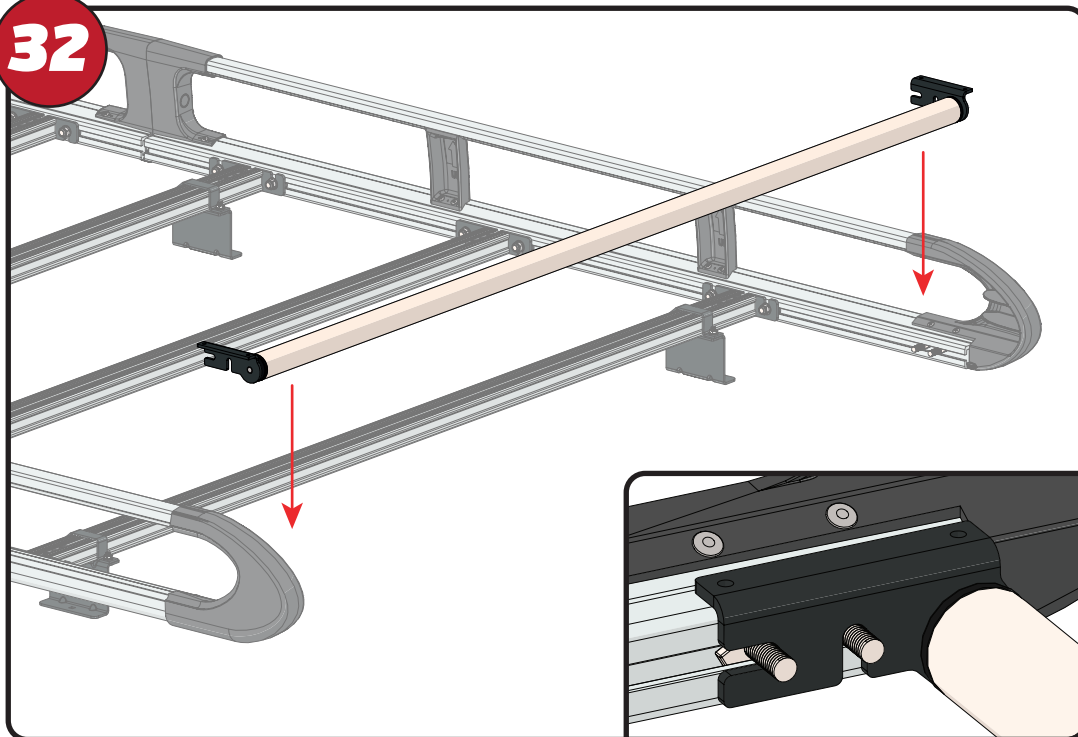
**29**

EN - TIGHTEN ALL OF THE CROSS BARS
DE - ALLE QUERSTANGEN FESTZIEHEN
FR - SERREZ TOUTES LES BARRES TRANSVERSALES
NL - DRAAI ALLE DWARSBALK VAN HET DAK AAN
ES - APRIETE TODAS LAS BARRAS TRANSVERSALES
IT - STRINGERE TUTTE LE BARRE TRASVERSALI

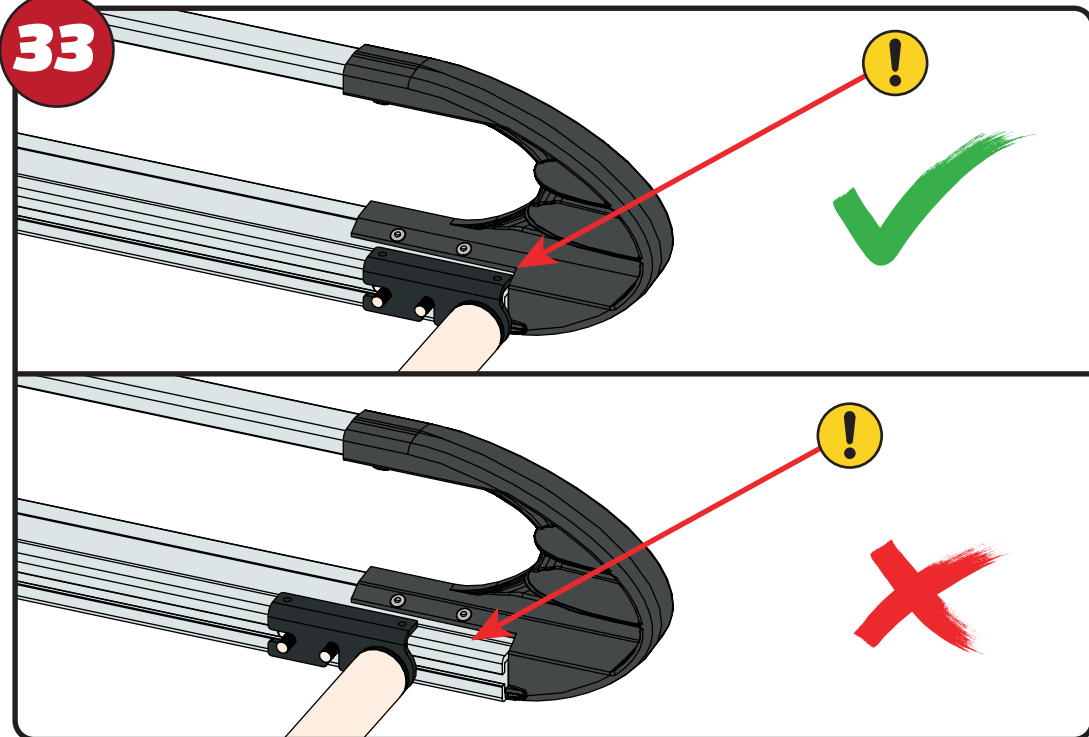
SV - SKRU UPP ALLA KORSSTANGAR
DA - SKRU ALLE TAGBØJLER OP
NO - SKRU OPP ALLE TVERRSTENGER
PL - DOKRĘCIĆ WSZYSTKIE POPRZECZKI
CS - VŠECHNY PŘÍČNÉ TYČE SEŠROUJTE

30**31**

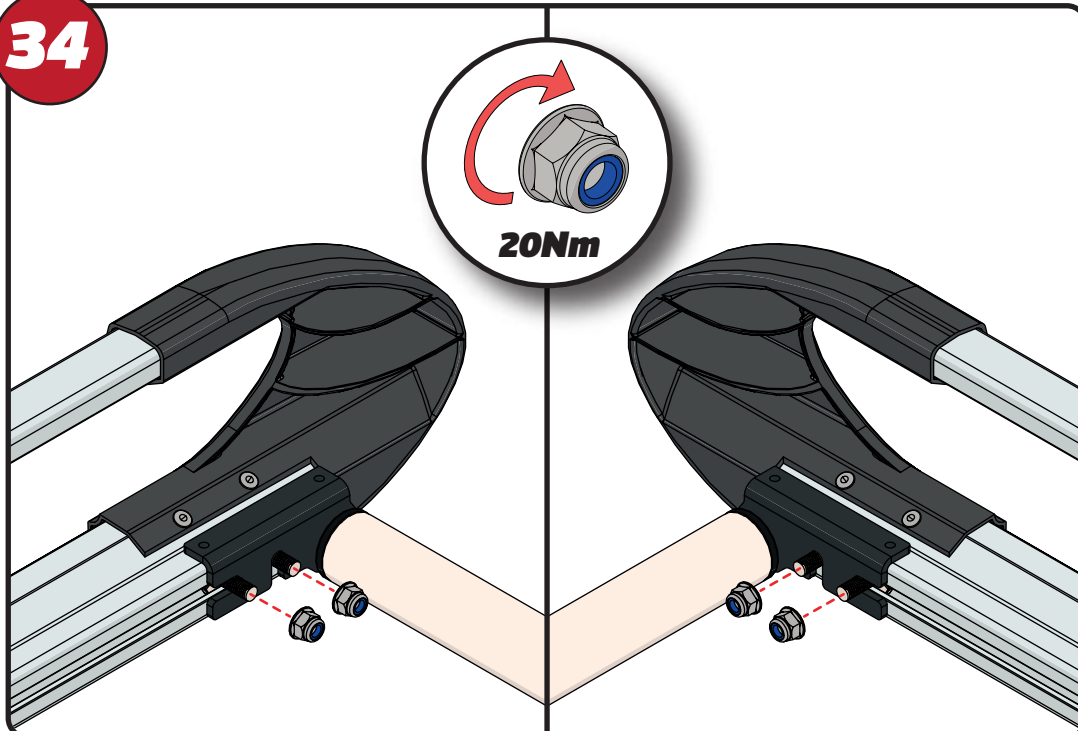
32



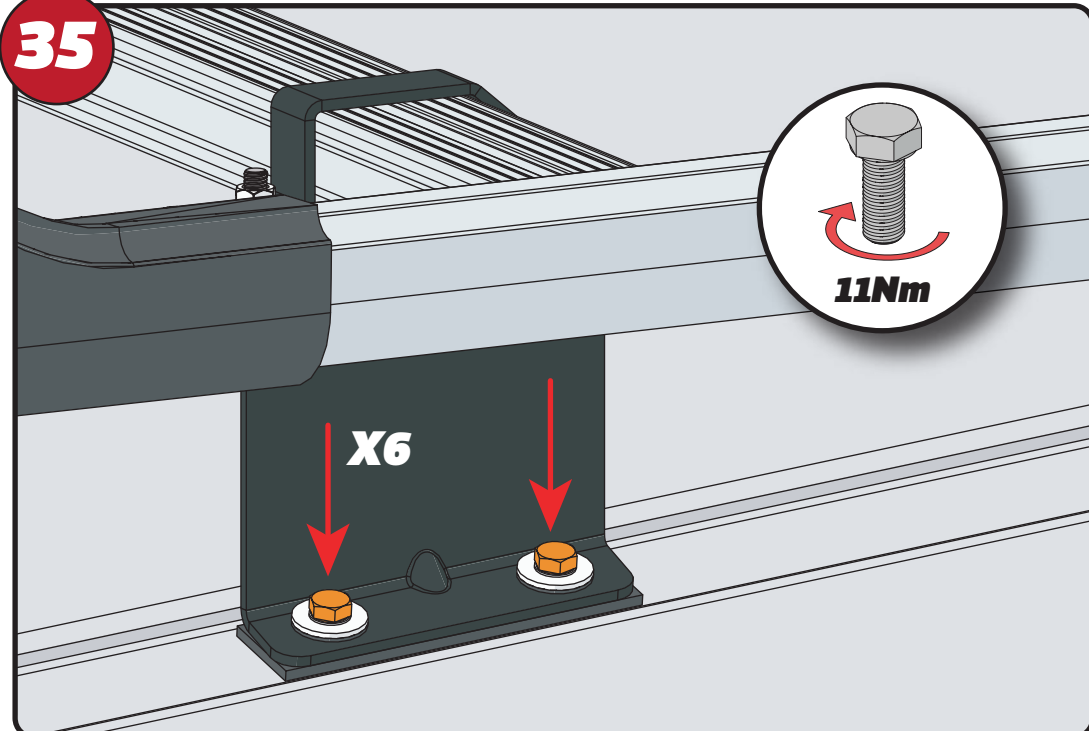
33



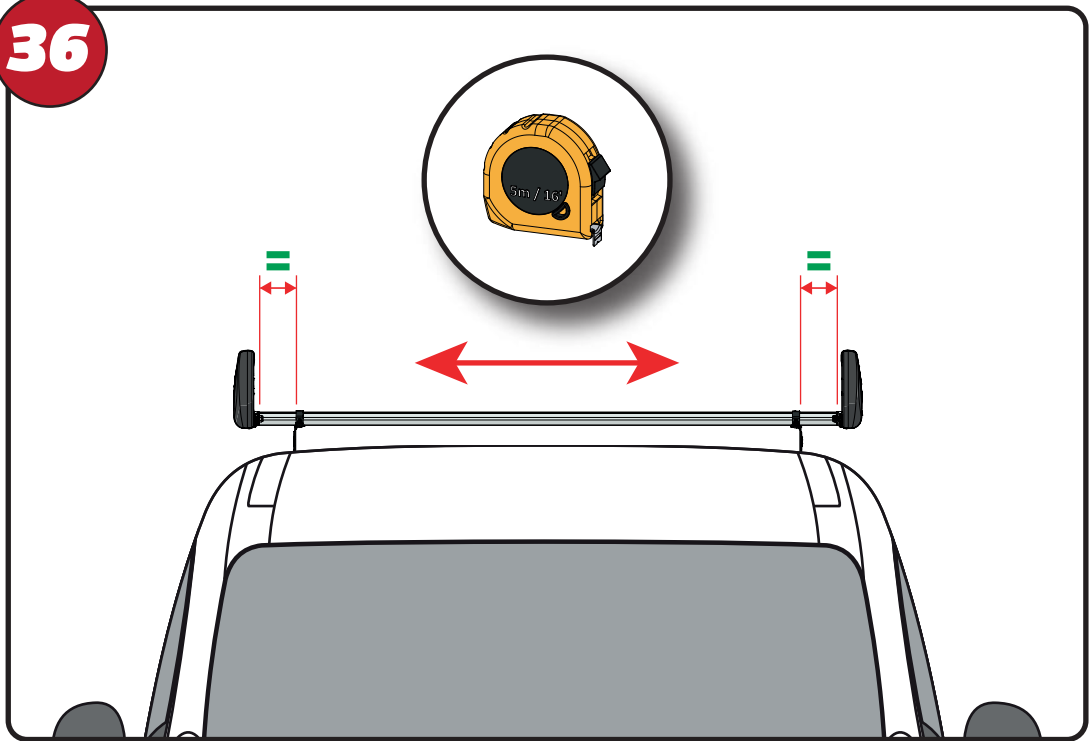
34



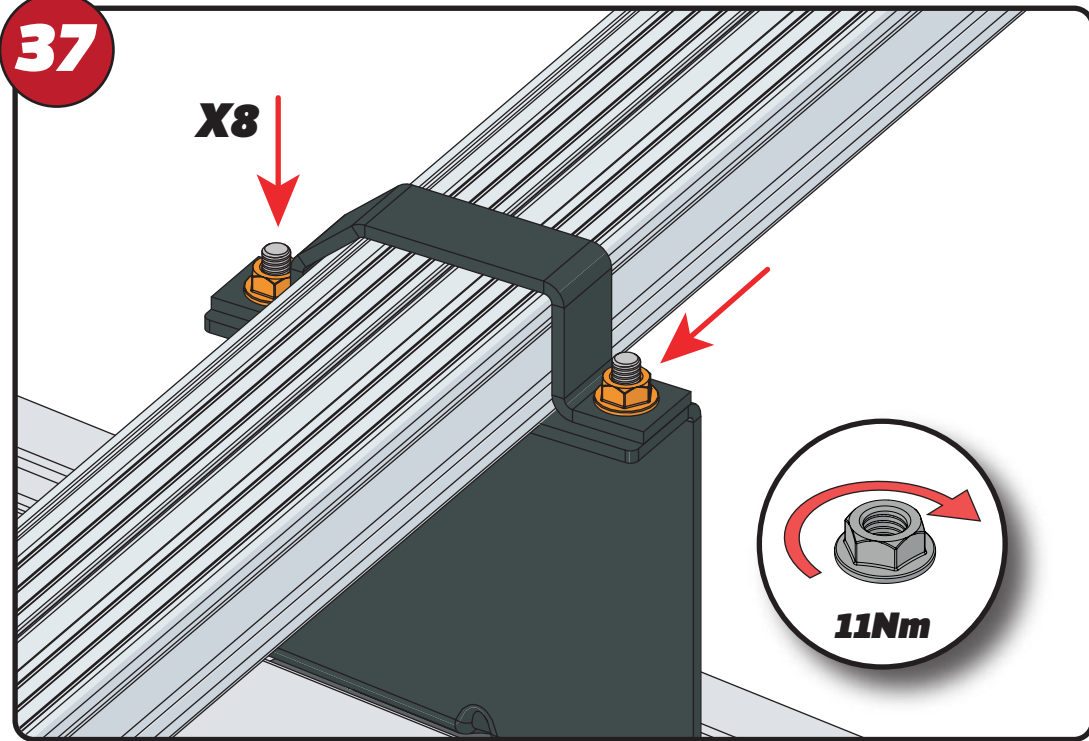
35



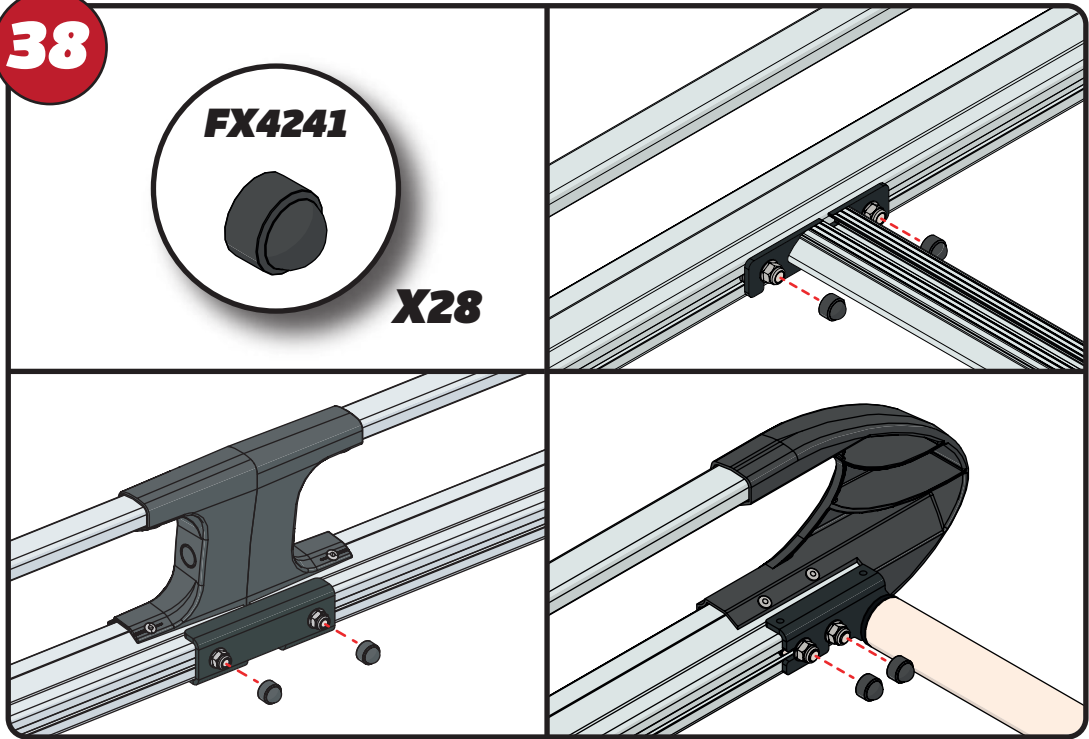
36



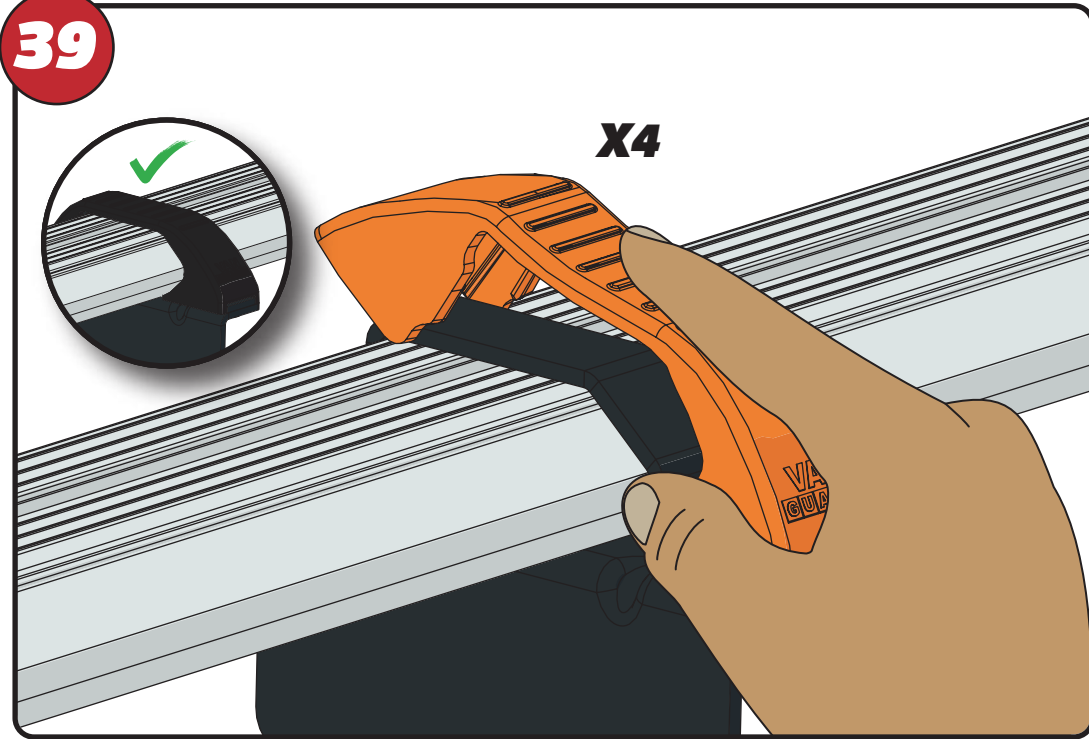
37



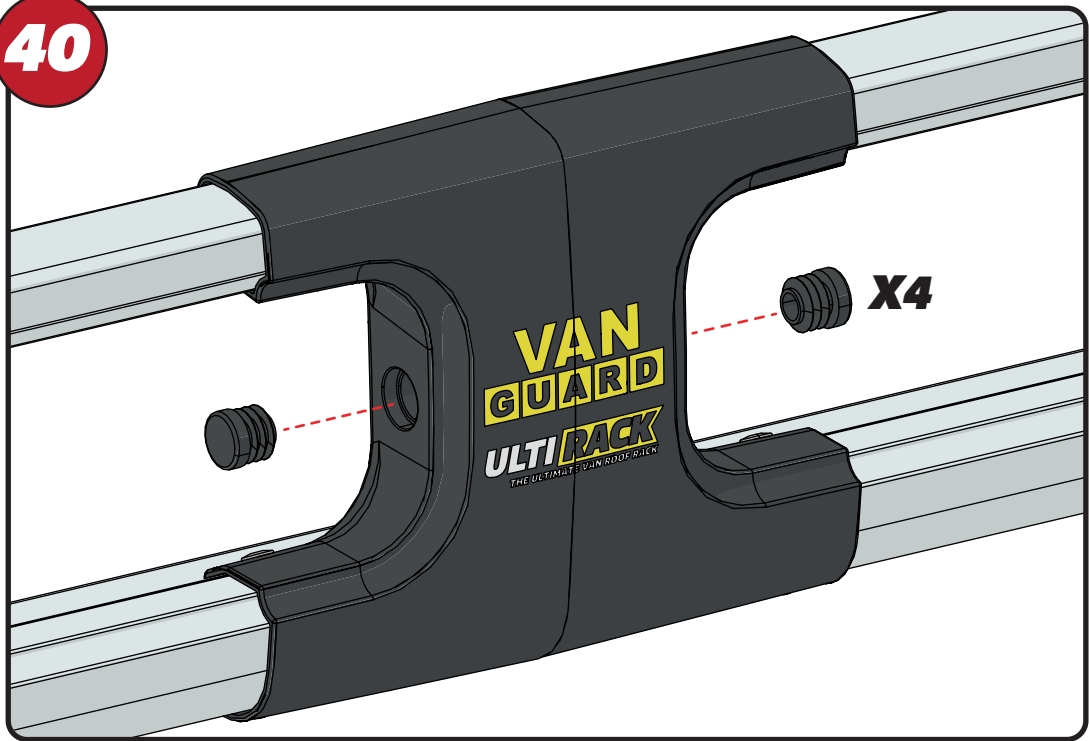
38



39



40



41

